

for COMET, EASTMAN, HITAKA, KM, KURIS, LIGHTNING, MAIMIN, WOLF & others.



High Speed & Alloy Steel Straight Knives

FOR COMET



ALLOY STEEL	HSS
5C	5C-HSS
6C	6C-HSS
7C	7C-HSS
8C	8C-HSS
9C	9C-HSS
10C	10C-HSS
11C	11C-HSS
12C	12C-HSS

FOR EASTMAN



ALLOY STEEL	HSS
4E	4E-HSS
5E	5E-HSS
6E	6E-HSS
7E	7E-HSS
8E	8E-HSS
9E	9E-HSS
10E	10E-HSS
11 1/2E	11 1/2E-HSS
13E	13E-HSS



TEFLON COATING

ALLOY STEEL	HSS
4ET	4ET-HSS
5ET	5ET-HSS
6ET	6ET-HSS
7ET	7ET-HSS
8ET	8ET-HSS
9ET	9ET-HSS
10ET	10ET-HSS
11 1/2ET	11 1/2ET-HSS
13ET	13ET-HSS

FOR HITAKA



ALLOY STEEL	HSS
4H	4H-HSS
5H	5H-HSS
6H	6H-HSS
7H	7H-HSS
8H	8H-HSS
9H	9H-HSS
10H	10H-HSS

FOR KM.



ALLOY STEEL	HSS
4KM (N)	4KM (N)-HSS
5KM (N)	5KM (N)-HSS
6KM (N)	6KM (N)-HSS
6KM	6KM-HSS
7KM	7KM-HSS
8KM	8KM-HSS
9KM	9KM-HSS
10KM	10KM-HSS



© Great Knives Manufacture Co., Ltd.

The trademark and artworks are the intellectual property which is preserved by GREAT KNIVES MANUFACTURE Co., Ltd. All offense against the copyright will be sued by the owner.

Straight Knives

Round Knives

Overlock Knives

Trimming Blades

Button Hole Knives

Binders & Hemmer Feet

Suction-Type Chain Cutters

Tools & Accessories

Overlock Knives

Straight Knives

Round Knives

Overlock Knives

Trimming Blades

Button Hole Knives

Binders & Hemmer Feet

Suction-Type Chain Cutters

Tools & Accessories

FOR BABYLOCK



60544

Lower



205-9102-01A

Lower (CT)



408-9102-01A

Upper



205-9101-01A

Upper



408-9101-01B

Upper

FOR BROTHER



428-9101-01B

Upper



PL-Q1-01B

Upper



60507

Upper (CT)



405-9101-01A

Upper (CT)



112436-0-01
155193-0-01

Lower



118527-0-01

Lower



S20582-001

Lower



S20899-001

Lower



S20583-001

Lower



X05007001

Lower



© Great Knives Manufacture Co., Ltd.

The trademark and artworks are the intellectual property which is preserved by GREAT KNIVES MANUFACTURE Co., Ltd. All offense against the copyright will be sued by the owner.

for BABYLOCK, BROTHER, CONSEW, DAIKOKU, JUKI, PEGASUS, SINGER, RIMOLDI & more



Overlock Knives

FOR BROTHER



148198-0-01

Upper



127734001

Upper



144074-0-01

Upper (CT)



144074-300

Upper (CT)



140242-0-01

Angled Upper (CT)



S20579-101

Angled Upper (CT)



S20898-101

Angled Upper (CT)



S20897-101

Angled Upper (CT)



S20896-101

Angled Upper (CT)



148815-0-01

Angled Upper (CT)

FOR DAIKOKU

FOR JUKI



DSK-25

Lower



DSK-27

Upper



B4118-804-000
B4118-804-00C

Lower



B4122-352-00A
B4122-352-000
B4122-354-00A
B4122-357-00D

Lower



118-46003

Lower



© Great Knives Manufacture Co., Ltd.

The trademark and artworks are the intellectual property which is preserved by GREAT KNIVES MANUFACTURE Co., Ltd. All offense against the copyright will be sued by the owner.

for BABYLOCK, BROTHER, CONSEW, DAIKOKU, JUKI, PEGASUS, SINGER, RIMOLDI & more



Overlock Knives

FOR JUKI



115-66502

Lower



124-47504

Lower



A4113-102-000
A4145-335-000

Lower



MAS-11016000

Lower



MAS-11017000

Lower



B4108-352-00B(L)

Upper



611325N

Upper



118-47506

Upper



164-16109

Upper



164-18709

Upper



MAS-11012000

Upper



MAS-11013000

Upper



A4142-335-000

Upper (CT)



B4108-352-00B
B4108-352-000

Upper



118-47407

Upper



© Great Knives Manufacture Co., Ltd.

The trademark and artworks are the intellectual property which is preserved by GREAT KNIVES MANUFACTURE Co., Ltd. All offense against the copyright will be sued by the owner.

Straight Knives

Round Knives

Overlock Knives

Trimming Blades

Button Hole Knives

Binders & Hemmer Feet

Suction-Type Chain Cutters

Tools & Accessories

for BABYLOCK, BROTHER, CONSEW, DAIKOKU, JUKI, PEGASUS, SINGER, RIMOLDI & more



Overlock Knives

FOR JUKI



118-45708
Upper (CT)



120-04909
Upper(CT)



118-45609
Upper (CT)



B4108-352-00D
Upper (CT)



B4111-804-00C
Angled Upper

FOR KANSAI-SP



118-45906
Angled Upper (CT)



118-45807
Angled Upper (CT)



B4111-804-00A
Angled Upper (CT)



115-65900
Angled Upper(CT)



07-169
Lower



07-206
Lower



07-507
Lower



07-558
Lower



07-707
Lower



07-168
07-170
Upper



© Great Knives Manufacture Co., Ltd.

The trademark and artworks are the intellectual property which is preserved by GREAT KNIVES MANUFACTURE Co., Ltd. All offense against the copyright will be sued by the owner.

for BABYLOCK, BROTHER, CONSEW, DAIKOKU, JUKI, PEGASUS, SINGER, RIMOLDI & more



Overlock Knives

Straight Knives

Round Knives

Overlock Knives

Trimming Blades

Button Hole Knives

Binders & Hemmer Feet

Suction-Type Chain Cutters

Tools & Accessories

FOR KANSAI-SP



07-505

Upper



07-570

Upper



07-703

Upper (CT)



07-702

Angled Upper (CT)



07-124

Angled Upper (CT)

FOR MERROW

FOR NEW HOME



07-406

Angled Upper (CT)



6-91E

Lower



6-91

Lower



6-90

Upper



113
ML-113

Lower

FOR NEW LONG



784048
784048001

Lower (CT)



110-1
ML-110-1

Upper



784045
784045008

Upper (CT)



246061

Moving



246071

Fixed



© Great Knives Manufacture Co., Ltd.

The trademark and artworks are the intellectual property which is preserved by GREAT KNIVES MANUFACTURE Co., Ltd. All offense against the copyright will be sued by the owner.

for BABYLOCK, BROTHER, CONSEW, DAIKOKU, JUKI, PEGASUS, SINGER, RIMOLDI & more



Overlock Knives

FOR PEGASUS

Straight Knives						
	202573 201127 323-870-203 323-870-211 Lower	202572 202295 323-870-202 323-870-210 Lower	137562 Lower	277009 Lower	204161 323-870-213 Lower	204161A Lower
Round Knives						
Overlock Knives						
Trimming Blades						
Button Hole Knives	3543 312-870-001 Lower	202893 323-870-212 323-870-215 Lower (CT)	204351 323-870-218 Lower (CT)	138559 Upper	202570 323-870-200 Upper	
Binders & Hemmer Feet						
Suction-Type Chain Cutters	3544A 312-870-003 Upper	277000 Upper	200971 Upper (CT)	205890 Upper (CT)	202527 202527A 323-870-207 323-870-005 Upper (CT)	
Tools & Accessories						



© Great Knives Manufacture Co., Ltd.

The trademark and artworks are the intellectual property which is preserved by GREAT KNIVES MANUFACTURE Co., Ltd. All offense against the copyright will be sued by the owner.

for BABYLOCK, BROTHER, CONSEW, DAIKOKU, JUKI, PEGASUS, SINGER, RIMOLDI & more



Overlock Knives

FOR PEGASUS



201121ANS

Upper (CT)



201121A
323-870-214

Upper (CT)



205258

Upper (CT)



306394

Upper (CT)



210755(CT)

Angled Upper

FOR RIMOLDI



270-113

Lower



270-113/1
202146-0-10

Lower



2701P9-113/1
203144-0-10

Lower



277-113
203012-0-10

Lower



279-113/1
203069-0-10

Lower



6378-113
302808-0-10

Lower



290-113
204693-0-10

Lower



290-113SP
204693-0-11

Lower



CT270-113/1
207015-2-00

Lower (CT)



CT277-113
207016-2-00

Lower (CT)



© Great Knives Manufacture Co., Ltd.

The trademark and artworks are the intellectual property which is preserved by GREAT KNIVES MANUFACTURE Co., Ltd. All offense against the copyright will be sued by the owner.

Straight Knives

Round Knives

Overlock Knives

Trimming Blades

Bottom Hole Knives

Binders & Hammer Feet

Suction-Type Chain Cutters

Tools & Accessories

for BABYLOCK, BROTHER, CONSEW, DAIKOKU, JUKI, PEGASUS, SINGER, RIMOLDI & more



Overlock Knives

FOR RIMOLDI



CT279-113/1
207017-2-00

Lower (CT)



CT290-113
207020-2-00
207020-2-01

Lower (CT)



CT290-113SP

Lower (CT)



302807-0-10
6378-112

Upper



CT302865-0-11

Upper (CT)



270-112
202142-0-10

Angled Upper



270-112/1
202143-0-10

Angled Upper



279-112
203066-0-10

Angled Upper



276B-112
202932-0-10

Angled Upper



277-112
203010-0-10

Angled Upper



2777-112
203759-0-10

Angled Upper



290-112
2777-1121
203783-0-10

Angled Upper



CT270-112
207000-200

Angled Upper (CT)



CT279-112
207006-2-00

Angled Upper (CT)



CT290-112
CT2777-1121
207003-2-00

Angled Upper (CT)



© Great Knives Manufacture Co., Ltd.

The trademark and artworks are the intellectual property which is preserved by GREAT KNIVES MANUFACTURE Co., Ltd. All offense against the copyright will be sued by the owner.

for BABYLOCK, BROTHER, CONSEW, DAIKOKU, JUKI, PEGASUS, SINGER, RIMOLDI & more



Overlock Knives

Straight Knives

Round Knives

Overlock Knives

Trimming Blades

Button Hole Knives

Binders & Hemmer Feet

Suction-Type Chain Cutters

Tools & Accessories

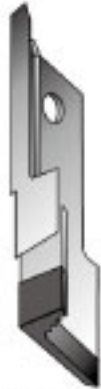
FOR RIMOLDI

FOR REECE



CT276B-112
207001-2-00

Angled Upper (CT)



CT277-112
207002-2-00

Angled Upper (CT)



CT2777-112
207004-2-00

Angled Upper (CT)



32-2047-1-001

Left



32-2047-1-002

Right

FOR SIRUBA



32-2048-1-001

Left



32-2048-1-002

Right



48-1125-5-721

Top



B
KR-35

Lower



KR-35C

Lower



KR-23C

Upper (CT)



KR-23

Upper (CT)



KR-23A

Upper (CT)



42309

Lower



164728
164233

Lower



© Great Knives Manufacture Co., Ltd.

The trademark and artworks are the intellectual property which is preserved by GREAT KNIVES MANUFACTURE Co., Ltd. All offense against the copyright will be sued by the owner.

for BABYLOCK, BROTHER, CONSEW, DAIKOKU, JUKI, PEGASUS, SINGER, RIMOLDI & more



Overlock Knives

FOR SINGER



164037

Lower



410295

Lower



412749

Lower



CT164728
164813

Lower (CT)



42305

Upper



164809

Upper (CT)



412585
412544

Upper (CT)



164308

Angled Upper



164550

Angled Upper



164556

Angled Upper

FOR TOYOTA



1250004-237B

Lower



1250004-229B

Upper



1650004-229

Upper (CT)



1270004-229

Upper (CT)



1250014-229

Upper (CT)



© Great Knives Manufacture Co., Ltd.

The trademark and artworks are the intellectual property which is preserved by GREAT KNIVES MANUFACTURE Co., Ltd. All offense against the copyright will be sued by the owner.

Straight Knives

Round Knives

Overlock Knives

Trimming Blades

Button Hole Knives

Binders & Hemmer Feet

Suction-Type Chain Cutters

Tools & Accessories

for BABYLOCK, BROTHER, CONSEW, DAIKOKU, JUKI, PEGASUS, SINGER, RIMOLDI & more



Overlock Knives

Straight Knives

Round Knives

Overlock Knives

Trimming Blades

Button Hole Knives

Binders & Hemmer Feet

Suction-Type Chain Cutters

Tools & Accessories

FOR UNION-SP



39549

Lower



28964

Lower



39549J

Lower



CT39549
39549N

Lower (CT)



CT39549J

Lower (CT)



36270

Upper



39270A

Upper



36250

Upper



39570

Angled Upper



39570K

Angled Upper

FOR YAMATO



39570J

Angled Upper



CT39570J

Angled Upper (CT)



CT39570

Angled Upper (CT)



95277

Lower



30421

Lower



© Great Knives Manufacture Co., Ltd.

The trademark and artworks are the intellectual property which is preserved by GREAT KNIVES MANUFACTURE Co., Ltd. All offense against the copyright will be sued by the owner.

Overlock Knives

FOR YAMATO

Straight Knives

Round Knives

Overlock Knives

Trimming Blades

Button Hole Knives

Binders & Hemmer Feet

Suction-Type Chain Cutters

Tools & Accessories



37538

Lower



22195

Lower



3101633

Lower



35285

Lower



2100167

Lower



3201062

Lower



3101026

Lower



3110038

Lower



37469-HSS

Lower



37472

Lower



2121111

Lower



95276

Lower (CT)



37469

Upper



37514

Upper



20493

Upper



© Great Knives Manufacture Co., Ltd.

The trademark and artworks are the intellectual property which is preserved by GREAT KNIVES MANUFACTURE Co., Ltd. All offense against the copyright will be sued by the owner.

for BABYLOCK, BROTHER, CONSEW, DAIKOKU, JUKI, PEGASUS, SINGER, RIMOLDI & more



Overlock Knives

FOR YAMATO



37472-HSS

Upper



20496

Upper (CT)



32914

Upper (CT)



3110037

Upper (CT)



3101028

Upper (CT)

FOR OTHERS



3101465

Upper (CT)



20491

Angled Upper (CT)



35286

Angled Upper (CT)



755128

Lower



X05007001

Lower



300417

Lower (CT)



11442

Lower (CT)



755106

Upper



127734001

Upper



330404

Upper (CT)



© Great Knives Manufacture Co., Ltd.

The trademark and artworks are the intellectual property which is preserved by GREAT KNIVES MANUFACTURE Co., Ltd. All offense against the copyright will be sued by the owner.

Straight Knives

Round Knives

Overlock Knives

Trimming Blades

Button Hole Knives

Binders & Hemmer Feet

Suction-Type Chain Cutters

Tools & Accessories

for BABYLOCK, BROTHER, CONSEW, DAIKOKU, JUKI, PEGASUS, SINGER, RIMOLDI & more



Overlock Knives

FOR OTHERS



0246002553

Top



21-5602

Top

Straight Knives

Round Knives

Overlock Knives

Trimming Blades

Button Hole Knives

Binders & Hemmer Feet

Suction-Type Chain Cutters

Tools & Accessories



© Great Knives Manufacture Co., Ltd.

The trademark and artworks are the intellectual property which is preserved by GREAT KNIVES MANUFACTURE Co., Ltd. All offense against the copyright will be sued by the owner.



Trimming Blades

Trimming Blades

for ADLER, BROTHER, JUKI, MERROW, MITSUBISHI, PEGASUS, SIRUBA, SINGER & more

TRIMMING BLADE SERIES

Pg 34-40

切線刀系列

ADLER P34
BROTHER P34-35
JUKI P36-38
MERROW P38
MITSUBISHI P38
PEGASUS P39
PFAFF P39
REECE P39
RIMOLDI P39
SINGER P39-40
SIRUBA P40

TAJIMA P40
UNION-SP P40
YAKUMO P40



© Great Knives Manufacture Co., Ltd.

The trademark and artworks are the intellectual property which is preserved by
GREAT KNIVES MANUFACTURE Co., Ltd. All offense against
the copyright will be sued by the owner.



Trimming Blades

Trimming Blades

for ADLER, BROTHER, JUKI, MERROW, MITSUBISHI, PEGASUS, SIRUBA, SINGER & more

TRIMMING BLADE SERIES

Pg 34-40

切線刀系列

ADLER P34
BROTHER P34-35
JUKI P36-38
MERROW P38
MITSUBISHI P38
PEGASUS P39
PFAFF P39
REECE P39
RIMOLDI P39
SINGER P39-40
SIRUBA P40

TAJIMA P40
UNION-SP P40
YAKUMO P40



© Great Knives Manufacture Co., Ltd.

The trademark and artworks are the intellectual property which is preserved by
GREAT KNIVES MANUFACTURE Co., Ltd. All offense against
the copyright will be sued by the owner.

for ADLER, BROTHER, JUKI, MERROW, MITSUBISHI, PEGASUS, SIRUBA, SINGER & more



Trimming Blades

FOR ADLER

FOR BROTHER



129-17-185-3
Counter Knife



105306-101
Thread Cutter



105307-101
Thread Cutter



140888-001
Thread Cutter



152906-0-01
Thread Retainer



THREAD-260
Thread Cutter



THREAD-755
Thread Cutter



141509-001
Upper Thread



141512-001
Upper Thread



141513-001
Upper Thread



152905-0-01
Fixed Knife



S10210-001
Fixed Knife



SO3627-001
Fixed Knife



S56917-001
Fixed Knife



141543-0-01
Fixed Knife



SO2637-001
Fixed Knife



© Great Knives Manufacture Co., Ltd.

The trademark and artworks are the intellectual property which is preserved by GREAT KNIVES MANUFACTURE Co., Ltd. All offense against the copyright will be sued by the owner.

Straight Knives

Round Knives

Overlock Knives

Trimming Blades

Button Hole Knives

Binders & Hemmer Feet

Suction-Type Chain Cutters

Tools & Accessories

for ADLER, BROTHER, JUKI, MERROW, MITSUBISHI, PEGASUS, SIRUBA, SINGER & more



Trimming Blades

FOR BROTHER



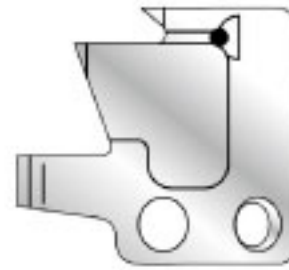
153020-001

Fixed Knife



S07527-001

Fixed Knife



S02645-001

Moving Knife



152901-0-01

Moving Knife



S07526-001

Moving Knife



S56370-001

Moving Knife



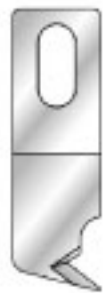
S03629-001

Moving Knife



S10205-001

Moving Knife



S37723-001

Moving Knife



141541-0-01

Moving Knife



S16248-001

Top Knife



S20118-001

Trimming Knife



152981-0-01

Knife Arm



152897-0-01

Knife Connection Rod



© Great Knives Manufacture Co., Ltd.

The trademark and artworks are the intellectual property which is preserved by GREAT KNIVES MANUFACTURE Co., Ltd. All offense against the copyright will be sued by the owner.

Straight Knives

Round Knives

Overlock Knives

Trimming Blades

Button Hole Knives

Binders & Hemmer Feet

Suction-Type Chain Cutters

Tools & Accessories

for ADLER, BROTHER, JUKI, MERROW, MITSUBISHI, PEGASUS, SIRUBA, SINGER & more



Trimming Blades

FOR JUKI

			
102-11100 Moving Knife	102-11605 Moving Knife	114-09257 Moving Knife	B2421-205-OAO Moving Knife
			
B2421-210-000 Moving Knife	B2421-210-AAO Moving Knife	B2421-280-000 B2421-280-OAO Moving Knife	B2406-373-OAO Moving Knife
			
D2402-555-BAO Moving Knife	110-40052 Moving Knife	B2406-761-OAO Bobbin Thread Trimmer Blade	B2406-771-OAO Bobbin Thread Trimmer Blade
			
B2410-373-000 Fixed Knife	B2424-280-000 Fixed Knife	102-11209 Fixed Knife	114-09604 Fixed Knife

Straight Knives
Round Knives
Overlock Knives
Trimming Blades
Button Hole Knives
Binders & Hemmer Feet
Suction-Type Chain Cutters
Tools & Accessories



© Great Knives Manufacture Co., Ltd.

The trademark and artworks are the intellectual property which is preserved by GREAT KNIVES MANUFACTURE Co., Ltd. All offense against the copyright will be sued by the owner.

for ADLER, BROTHER, JUKI, MERROW, MITSUBISHI, PEGASUS, SIRUBA, SINGER & more



Trimming Blades

FOR JUKI



226-55302
Fixed Knife



B2424-210-000
Fixed Knife



B2424-210-AOO
Fixed Knife



D2406-555-B00
D2406-555-D0H
Fixed Knife



137-31161
Needle Thread



B2001-761-OAO
Needle Thread



B2001-762-OAO
Needle Thread



B2001-771-OAO
Needle Thread



B2003-761-000
Needle Thread



B2003-771-000
Needle Thread



B2408-761-000
Counter Knife



B2408-771-000
Counter Knife



B1530-352-000
Thread Trimmer



B1528-804-000
B1528-804-000A
Chain Cutter Knife



137-36103
Tension Spring



137-35451
Trimmer, Lower



© Great Knives Manufacture Co., Ltd.

The trademark and artworks are the intellectual property which is preserved by GREAT KNIVES MANUFACTURE Co., Ltd. All offense against the copyright will be sued by the owner.

Straight Knives

Round Knives

Overlock Knives

Trimming Blades

Button Hole Knives

Binders & Hammer Feet

Suction-Type Chain Cutters

Tools & Accessories

for ADLER, BROTHER, JUKI, MERROW, MITSUBISHI, PEGASUS, SIRUBA, SINGER & more



Trimming Blades

FOR JUKI



137-35956

Trimmer, Upper



166-07301

Corner



166-07400

Corner



166-07509

Corner



166-07608

Corner



166-07707

Corner



166-07806

Corner



B2002-761-OAO

Upper Thread

FOR MERROW



B2002-771-OAO

Upper Thread



A-121-1

Thread Catcher

FOR MITSUBISHI



MF40A1834

Left Knife



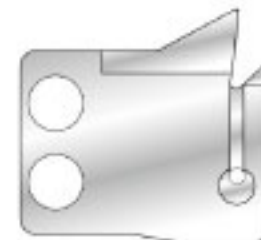
MF40A2835
MF40A1835

Right Knife



MF-00A0838

Fixed Knife



MF-02A0834

Moving Knife



© Great Knives Manufacture Co., Ltd.

The trademark and artworks are the intellectual property which is preserved by GREAT KNIVES MANUFACTURE Co., Ltd. All offense against the copyright will be sued by the owner.

Straight Knives

Round Knives

Overlock Knives

Trimming Blades

Button Hole Knives

Binders & Hemmer Feet

Suction-Type Chain Cutters

Tools & Accessories

for ADLER, BROTHER, JUKI, MERROW, MITSUBISHI, PEGASUS, SIRUBA, SINGER & more



Trimming Blades

FOR PEGASUS



201308P
323-873-001

Chain Cutter Knife



202451
323-873-200

Chain Cutter Knife



257573

Upper



257573A

Upper



257574

Upper



350218

Moving Knife



350220

Fixed Knife

FOR PFAFF

FOR REECE

FOR RIMOLDE



91-171853-05

Counter Knife



40-0127-1-000
40-0127-2-000

Tab Knife



42-0012-0-045
40-0012-1-045
40-0012-2-045

Center Knife



270-188
202194-0-10

Thread Cutter Knife

FOR SINGER



164861

Chain Cutter Knife



55459

Shuttle Thread



414029

Stationary



540760

Stationary



© Great Knives Manufacture Co., Ltd.

The trademark and artworks are the intellectual property which is preserved by GREAT KNIVES MANUFACTURE Co., Ltd. All offense against the copyright will be sued by the owner.

Straight Knives

Round Knives

Overlock Knives

Trimming Blades

Button Hole Knives

Binders & Hemmer Feet

Suction-Type Chain Cutters

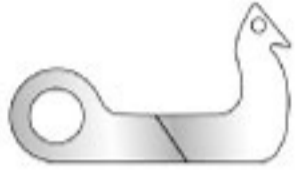
Tools & Accessories

for ADLER, BROTHER, JUKI, MERROW, MITSUBISHI, PEGASUS, SIRUBA, SINGER & more



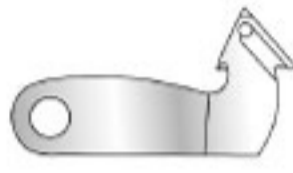
Trimming Blades

FOR SINGER



414030

Underbed Trimmer



540741

Underbed Trimmer



KS-24

Chain Cutter Knife



BK-10F

Fixed Knife

FOR TAJIMA



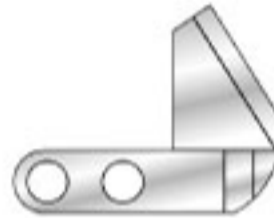
FX0227000000

Moving Knife



AT0204000000

Moving Knife



EG0204000000

Fixed Knife



FX0228000000

Fixed Knife

FOR UNION-SP



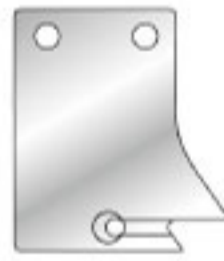
35796B

Upper Chain



35796C

Lower Chain



115421010

Moving knife



3100512

Fixed Knife



3100513

Moving Knife



20271

Chain Cutter



68121

Lower



68184

Upper



© Great Knives Manufacture Co., Ltd.

The trademark and artworks are the intellectual property which is preserved by GREAT KNIVES MANUFACTURE Co., Ltd. All offense against the copyright will be sued by the owner.

Straight Knives

Round Knives

Overlock Knives

Trimming Blades

Button Hole Knives

Binders & Hemmer Feet

Suction-Type Chain Cutters

Tools & Accessories



Binders & Hemmer Feet

Binders & Hemmer Feet

for Industrial sewing machines

BINDERS & HEMMER FEET

Pg 48-55

包邊器和押腳系列

A400/S400 PLAIN HEMMER P48
A450/S450 SPRING HEMMER P48
A75D/S75D SINGLE DOWNTURN HEMMER P48
A75U/S75U SINGLE UPTURN HEMMER P49
A4/100 HEMMERS P49
A9/508 HEMMERS P49
A10/S60 RIGHT ANGLE BIAS BINDER P50
A11/S72L HEMMERS P50
A30/121586 LAP SEAM FOLDERS P51
A70/S70 HEMMERS P51

S123/K710NA RIGHT ANGLE BIAS BINDER P52
S124/K712NA RIGHT ANGLE BIAS BINDER P53
SW75D SINGLE DOWNTURN HEMMER P54
SW75U SINGLE UPTURN HEMMER P54
UNION-SP DOUBLE LAP SEAM FOLDER P54
HEMMER FEET P55



© Great Knives Manufacture Co., Ltd.

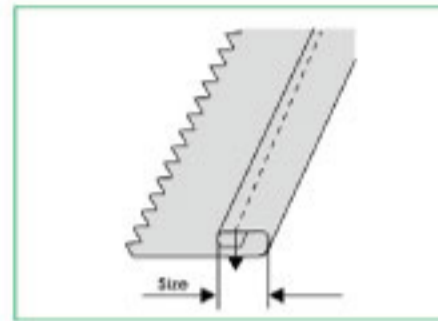
The trademark and artworks are the intellectual property which is preserved by
GREAT KNIVES MANUFACTURE Co., Ltd. All offense against
the copyright will be sued by the owner.

for Industrial sewing machines



Binders & Hemmer Feet

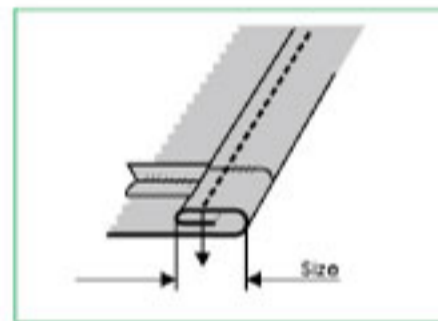
PARTS NO A400/S400 PLAIN HEMMER



Tape Size

A400 1/16"	S400 1/16"
A400 1/2"	S400 1/2"
A400 1/4"	S400 1/4"
A400 1/8"	S400 1/8"
A400 3/16"	S400 3/16"
A400 3/8"	S400 3/8"

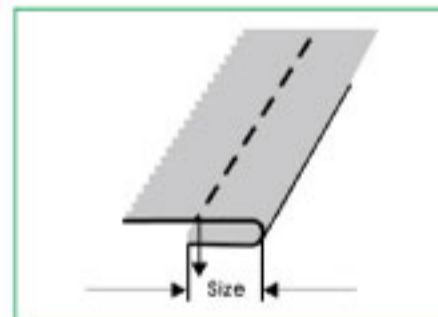
PARTS NO A450/S450 SPRING HEMMER



Tape Size

A450 1/16"	S450 1/16"
A450 1/4"	S450 1/4"
A450 1/8"	S450 1/8"
A450 3/16"	S450 3/16"

PARTS NO A75D/S75D SINGLE DOWNTURN HEMMER



Tape Size

A75D 1/2"	S75D 1/2"
A75D 1/4"	S75D 1/4"
A75D 3/8"	S75D 3/8"



© Great Knives Manufacture Co., Ltd.

The trademark and artworks are the intellectual property which is preserved by GREAT KNIVES MANUFACTURE Co., Ltd. All offense against the copyright will be sued by the owner.

Straight Knives

Round Knives

Overlock Knives

Trimming Blades

Button Hole Knives

Binders & Hemmer Feet

Suction-Type Chain Cutters

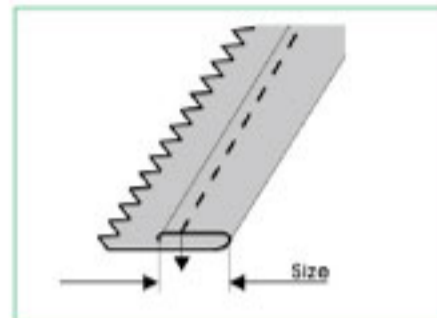
Tools & Accessories

for Industrial sewing machines



Binders & Hemmer Feet

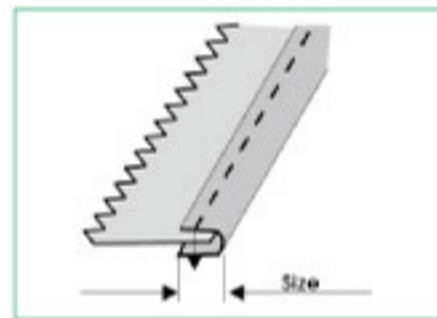
PARTS NO A75U/S75U SINGLE UPTURN HEMMER



Tape Size

A75U 1/2"	S75U 1/2"
A75U 1/4"	S75U 1/4"
A75U 3/8"	S75U 3/8"

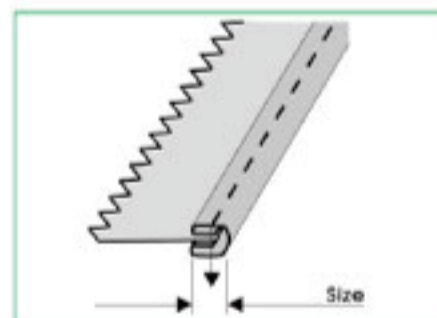
PARTS NO A4/100 HEMMERS



Tape Size

3/8"	3/4"
1/2"	7/8"
5/8"	1"

PARTS NO A9/508 HEMMERS



Tape Size

5/8"	1 1/2"
3/4"	1 5/8"
7/8"	1 3/4"
1"	1 7/8"
1 1/8"	2"
1 1/4"	



© Great Knives Manufacture Co., Ltd.

The trademark and artworks are the intellectual property which is preserved by GREAT KNIVES MANUFACTURE Co., Ltd. All offense against the copyright will be sued by the owner.

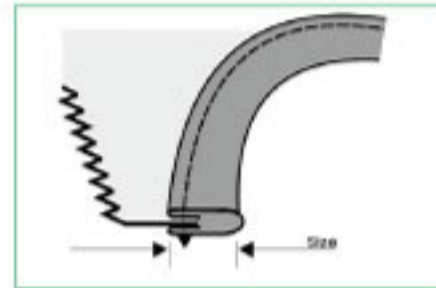
Straight Knives
Round Knives
Overlock Knives
Trimming Blades
Button Hole Knives
Binders & Hemmer Feet
Suction-Type Chain Cutters
Tools & Accessories

for Industrial sewing machines



Binders & Hemmer Feet

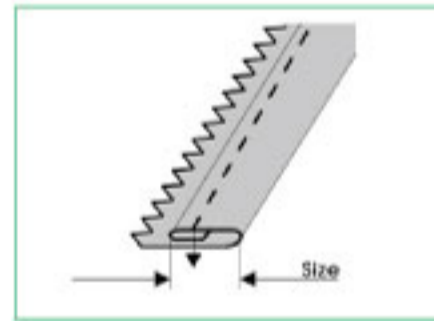
PARTS NO A10 / S60 RIGHT ANGLE BIAS BINDER



Tape Size

5/8"	16mm	1 1/4"	32mm
11/16"	18mm	1 3/8"	34mm
13/16"	20mm	1 7/16"	36mm
7/8"	22mm	1 1/2"	38mm
15/16"	24mm	1 9/16"	40mm
1"	26mm	1 3/4"	45mm
1 1/8"	28mm	2"	50mm
1 3/16"	30mm		

PARTS NO A11 / S72L HEMMERS



Tape Size

1/8"	3mm	13/16"	20mm
3/16"	5mm	7/8"	22mm
1/4"	6mm	1"	25mm
5/16"	8mm	1 1/8"	28mm
3/8"	10mm	1 3/16"	30mm
1/2"	13mm	1 1/4"	32mm
19/32"	15mm	1 3/8"	35mm
5/8"	16mm	1 9/16"	40mm
11/16"	18mm	1 3/4"	45mm
3/4"	19mm	2"	50mm



© Great Knives Manufacture Co., Ltd.

The trademark and artworks are the intellectual property which is preserved by GREAT KNIVES MANUFACTURE Co., Ltd. All offense against the copyright will be sued by the owner.

Straight Knives

Round Knives

Overlock Knives

Trimming Blades

Button Hole Knives

Binders & Hemmer Feet

Suction-Type Chain Cutters

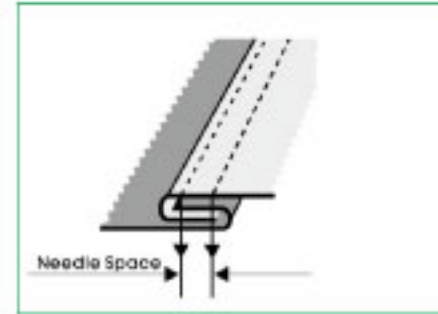
Tools & Accessories

for Industrial sewing machines



Binders & Hemmer Feet

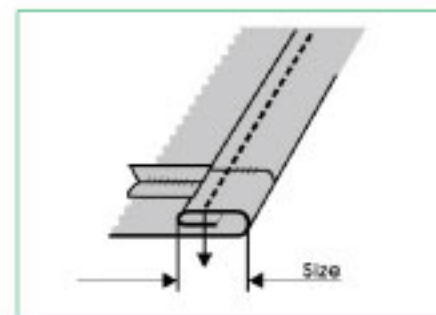
PARTS NO A30 / 121586 LAP SEAM FOLDERS



Tape Size

1/4H	3/16H
1/4M	3/16M
1/4MH	3/16MH
1/4XH	3/16XH
1/4XL	

PARTS NO A70 / S70 HEMMERS



Tape Size

1/16"	1/4"
1/8"	3/8"
3/16"	1/2"



© Great Knives Manufacture Co., Ltd.

The trademark and artworks are the intellectual property which is preserved by GREAT KNIVES MANUFACTURE Co., Ltd. All offense against the copyright will be sued by the owner.

Straight Knives

Round Knives

Overlock Knives

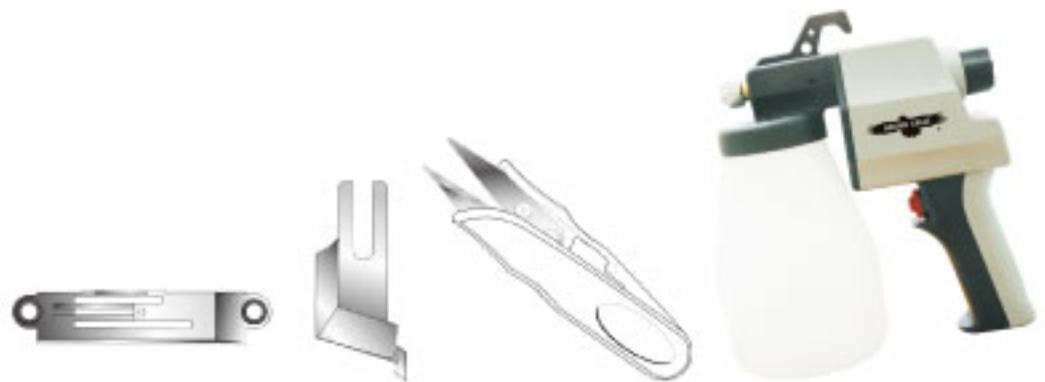
Trimming Blades

Button Hole Knives

Binders & Hemmer Feet

Suction-Type Chain Cutters

Tools & Accessories



Tools & Accessories

Tools & Accessories

Band Knives, Cleaning Guns, Hex Wrenches, Tagging Guns, Thread Clippers & more

TOOLS & ACCESSORIES

Pg 64-72

工具和配件類

CLEANING GUN	P64
HEX WRENCHES	P65
TAGGING GUN	P65
THREAD CLIPPERS TC-100	P66
THREAD CUTTERS TC-800	P66
THREAD CUTTERS TC-805	P67
THREAD CUTTERS TC-805B	P67
TAILOR SHEAR	P68
GRINDING STONE	P69-70
ABRASIVE BELTS	P71
BAND KNIVES	P72



© Great Knives Manufacture Co., Ltd.

The trademark and artworks are the intellectual property which is preserved by GREAT KNIVES MANUFACTURE Co., Ltd. All offense against the copyright will be sued by the owner.



Thread Clippers & Thread Cutters

FOR THREAD CLIPPERS TC-100



TC-100B

Blue



TC-100O

Orange



TC-100P

Purple



TC-100R

Red



TC-100T

Turquoise

FOR THREAD CUTTERS TC-800



TC-800B

Blue



TC-800O

Orange



TC-800P

Purple



TC-800R

Red



TC-800T

Turquoise



© Great Knives Manufacture Co., Ltd.

The trademark and artworks are the intellectual property which is preserved by GREAT KNIVES MANUFACTURE Co., Ltd. All offense against the copyright will be sued by the owner.